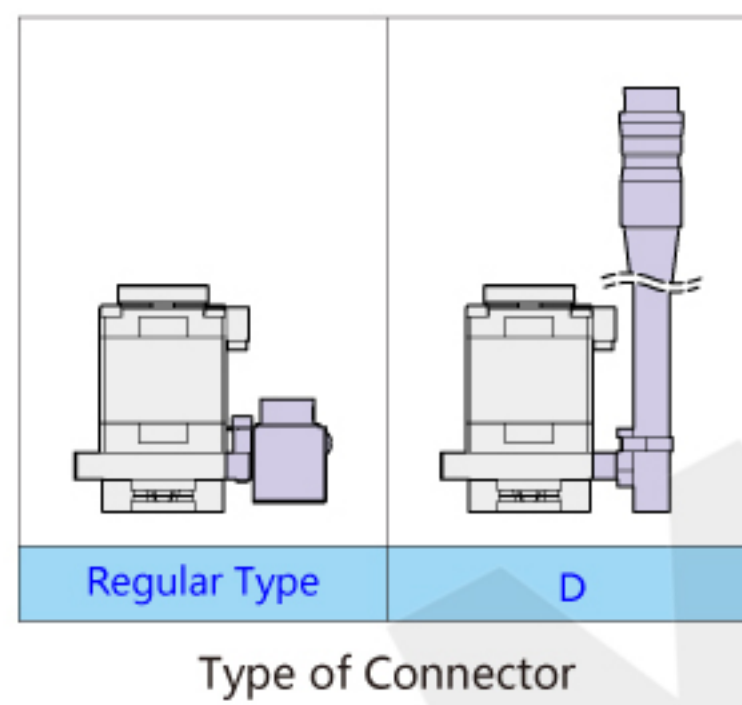
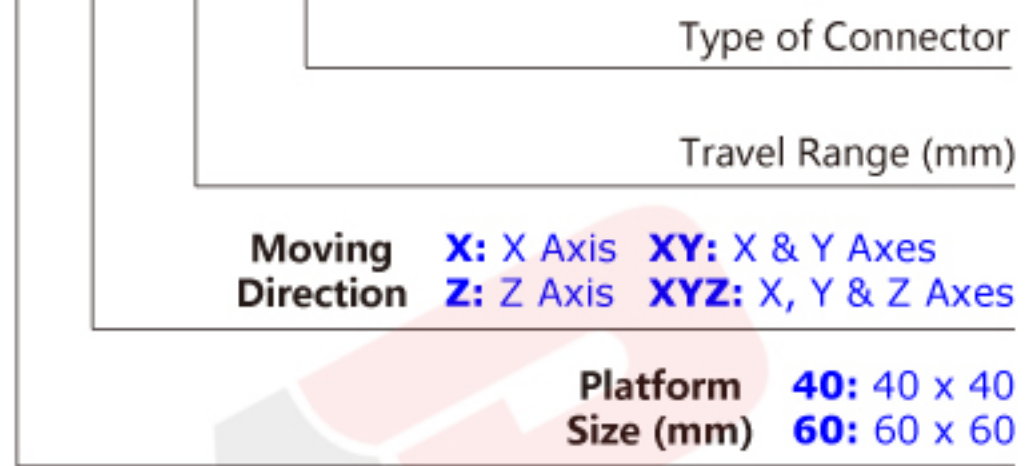


Item Number

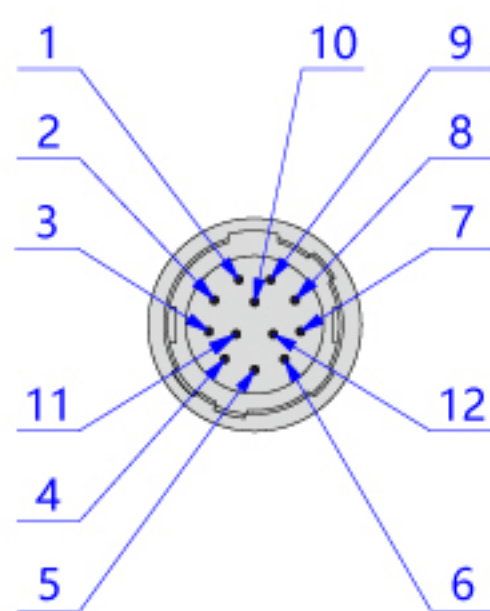
PH 60 X - 20 - D



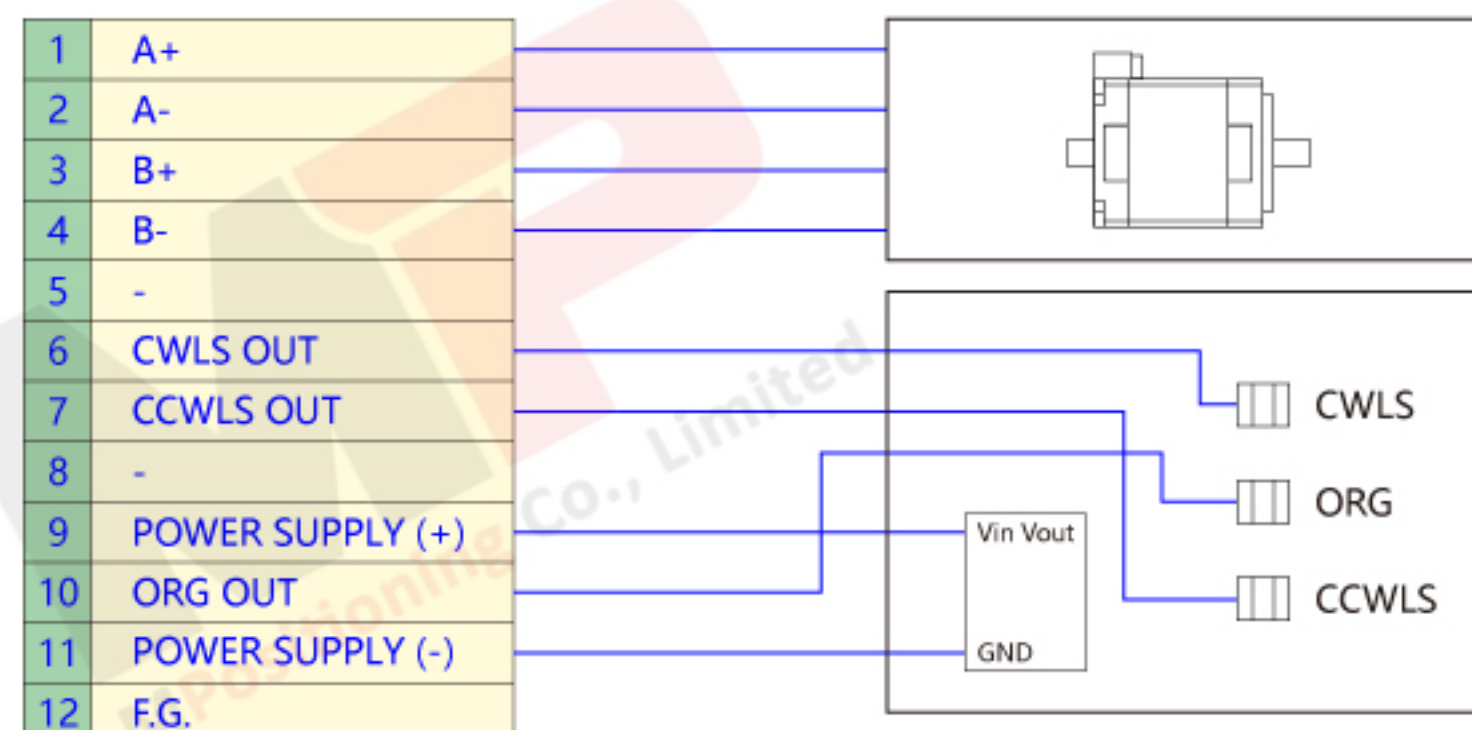
Specifications (Ask for inquiring if you need cables.)

Type	Motorized Linear Stage	Drive Mechanism	Ball Screw	Resolution	5 (μm)
Material	Stainless Steel (SUS440C)	Positioning Accuracy	15 (μm)	Load Capacity	5.0 ~ 10.0 (kgf)
Finish	Electroless Nickel Plating	Motor	2-Phases Stepper Motor (Options: 5-Phases Stepper Motor or AC Servo Motor)		
Sensors	Limit Switch, Home	Bearing Construction	Double-Row, Gothic-Arch Ball Bearing Slides		

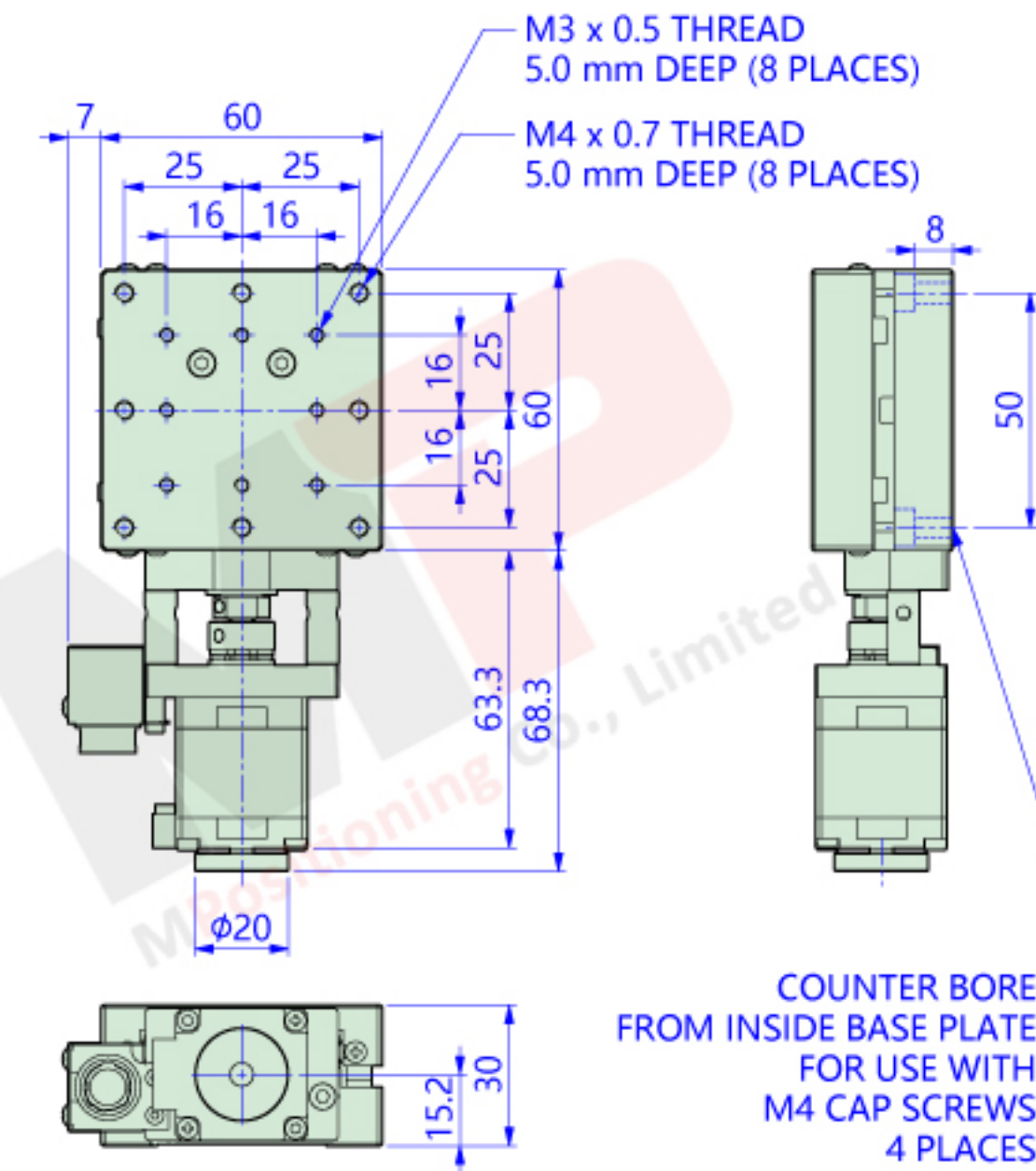
Connector



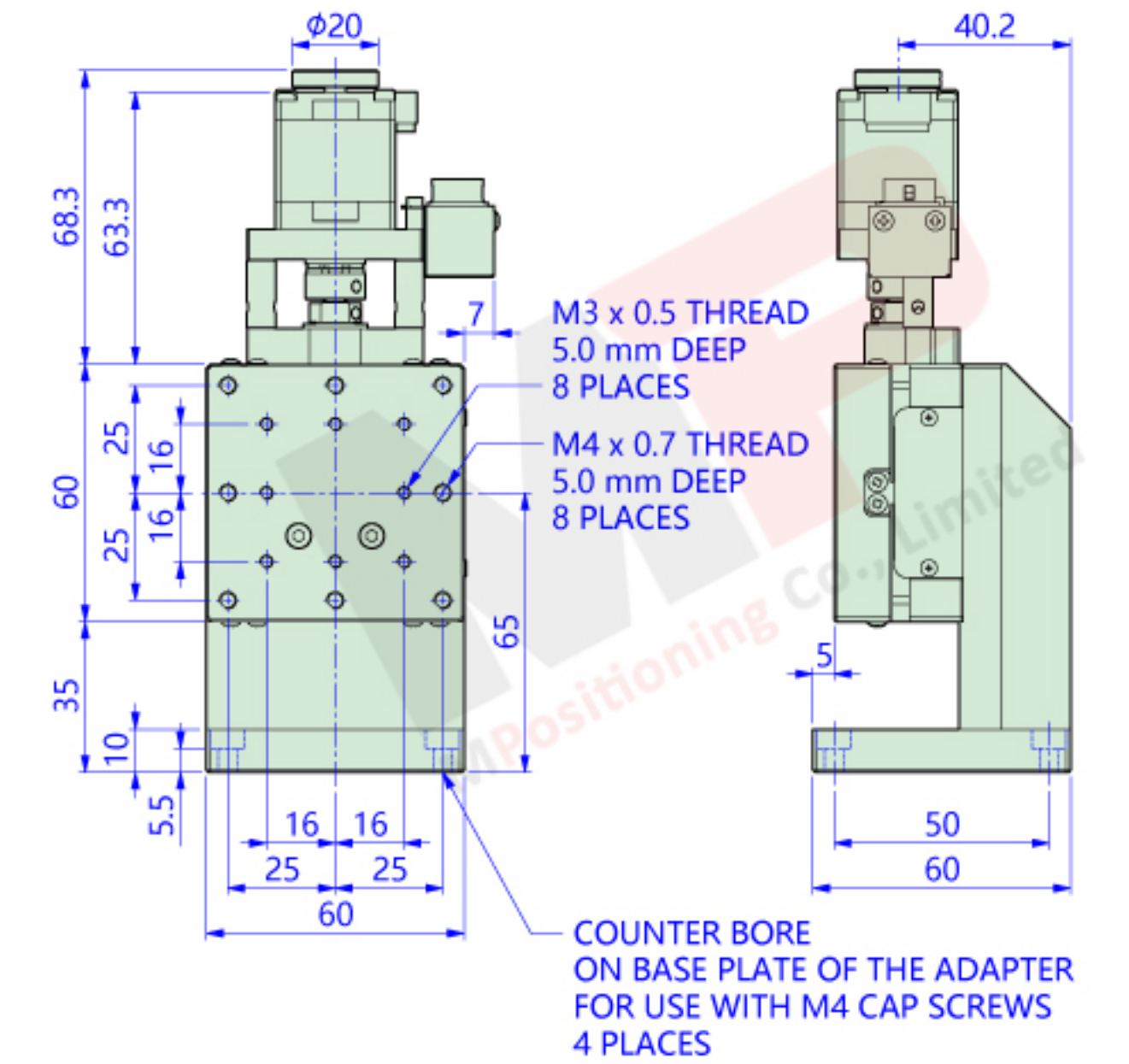
Wiring



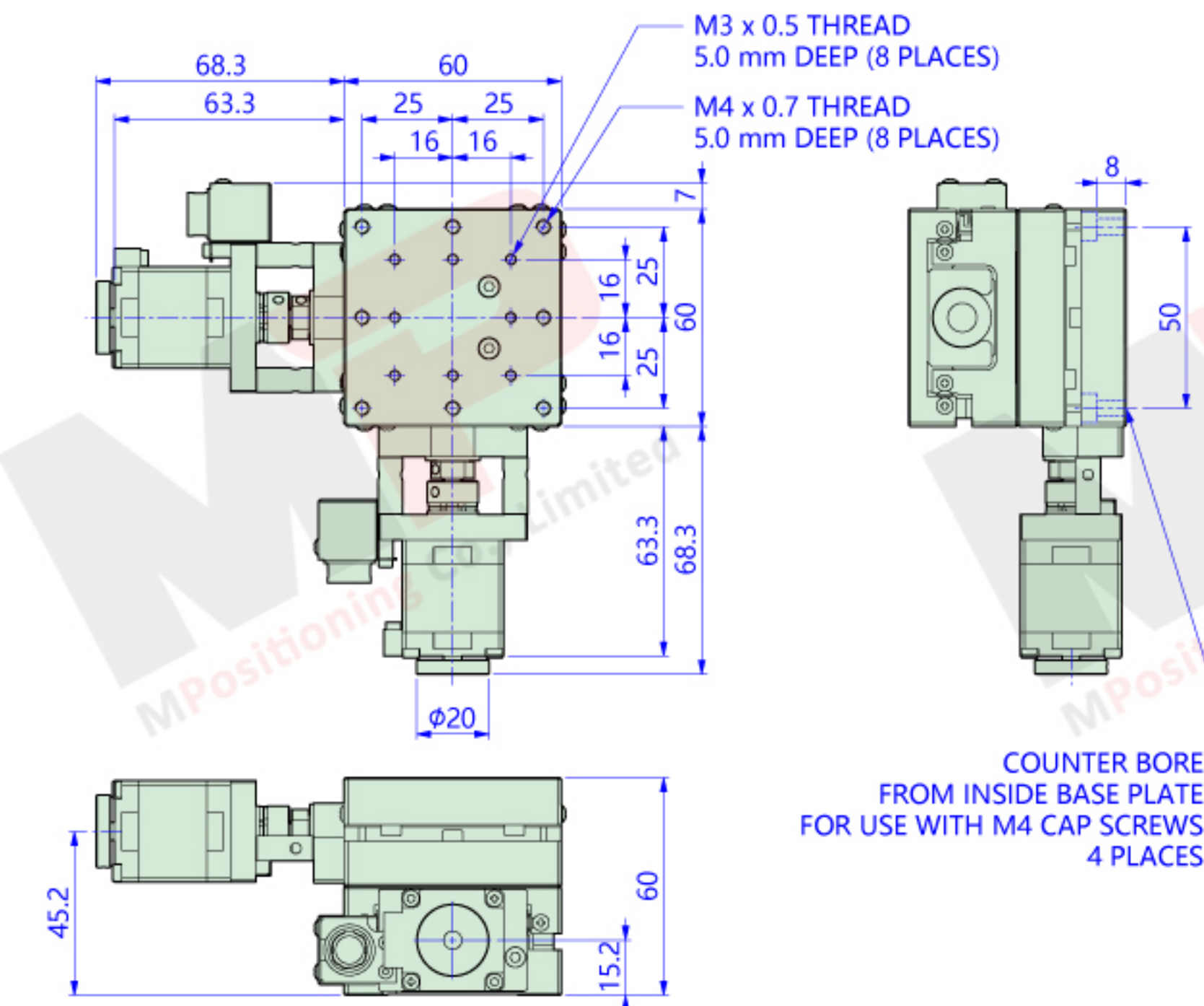
PH60X-20



PH60Z-20

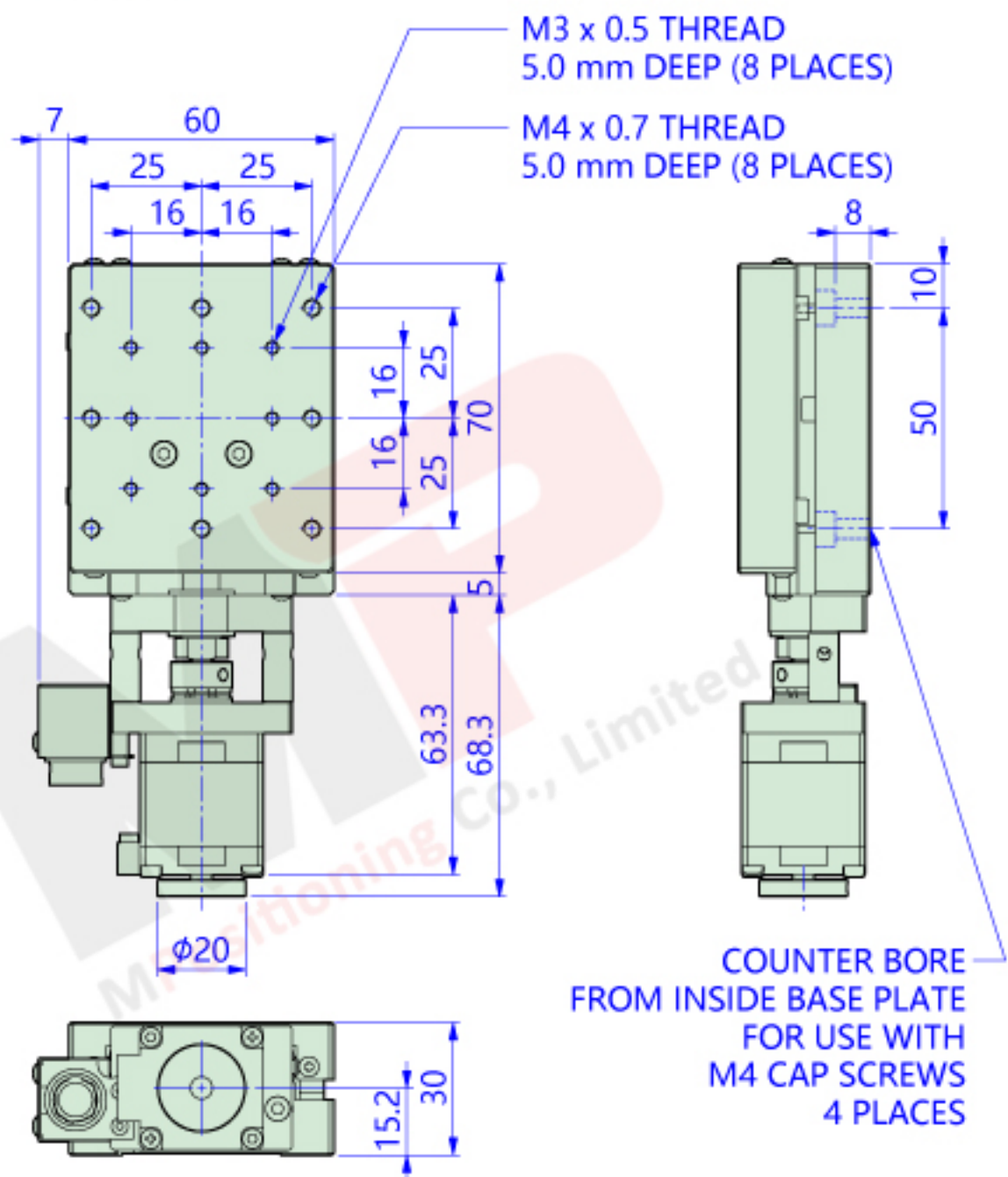


PH60XY-20

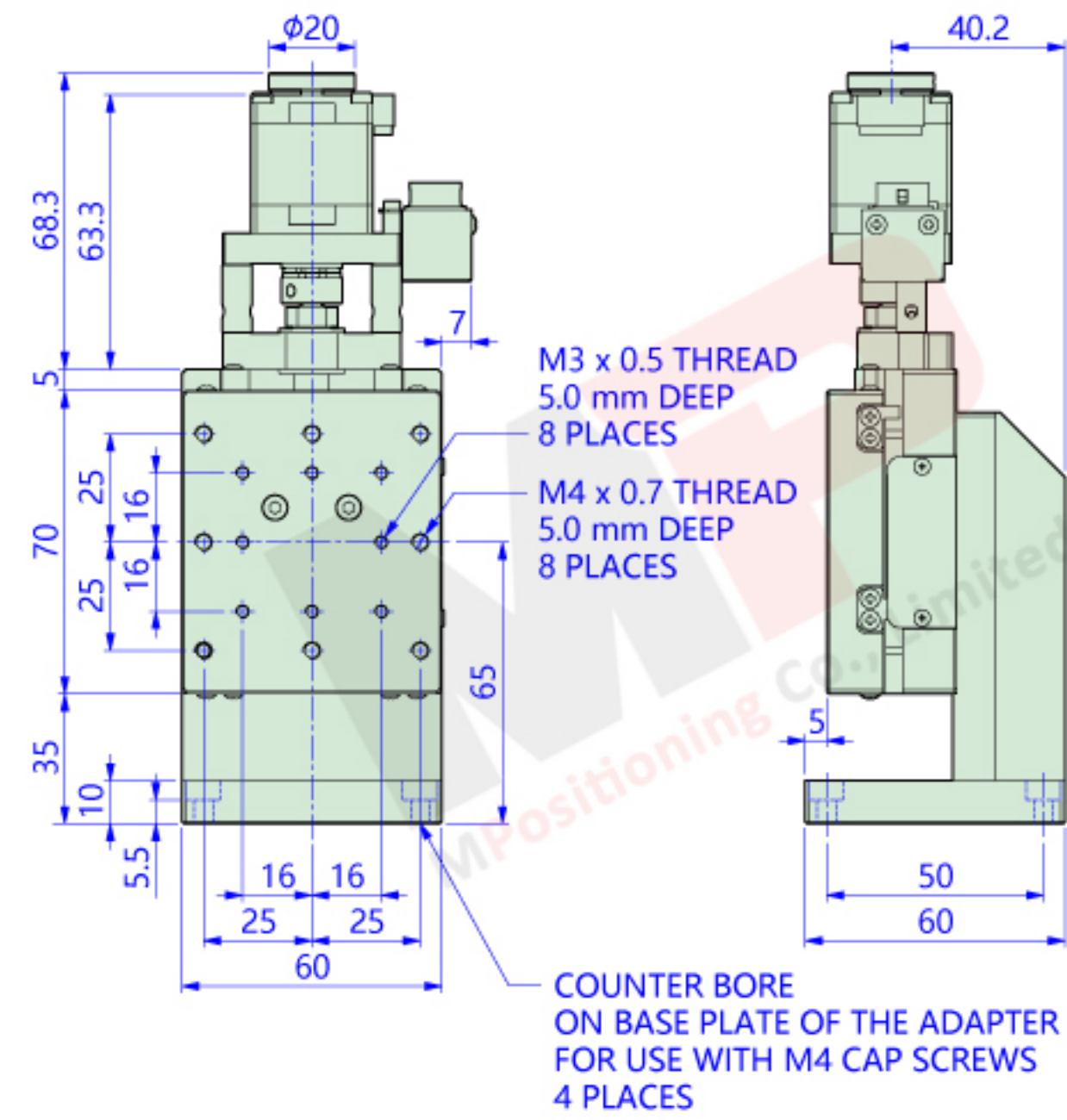


Item Number	Platform Size (mm)	Moving Direction	Stroke (mm)	Weight (kg)	Max. Load Capacity	Max. Velocity	Unidirectional Repeatability	Bidirectional Repeatability	Backlash	Flatness	Straightness
PH60X-20	60 x 60	X	20	0.75	10 kgf	10 mm/sec	≤ 15 μm	± 1 μm	≤ 3 μm	≤ 15 μm	≤ 3 μm
PH60XY-20		XY		1.50						-	
PH60Z-20		Z		1.05						5 kgf	

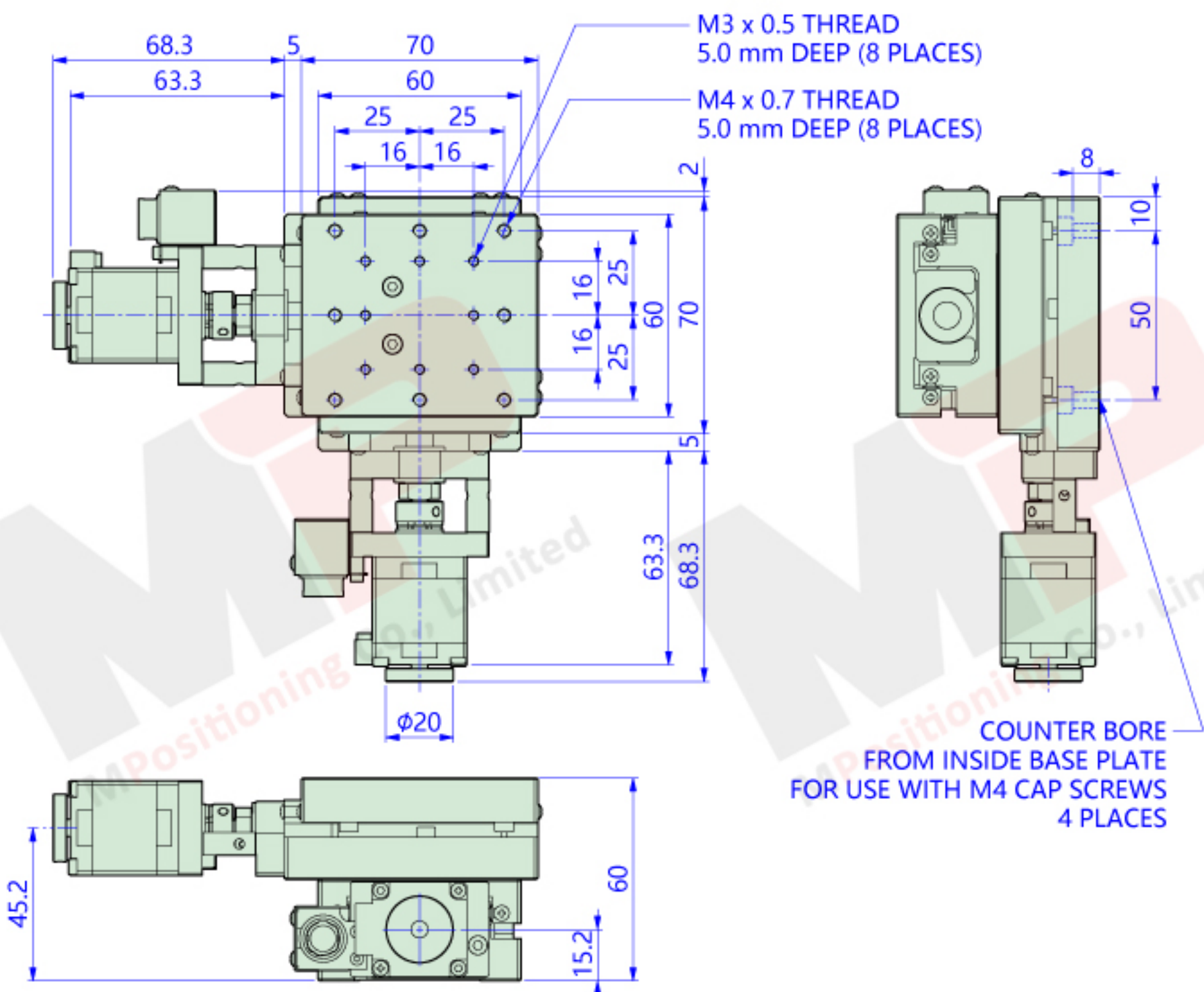
PH60X-30



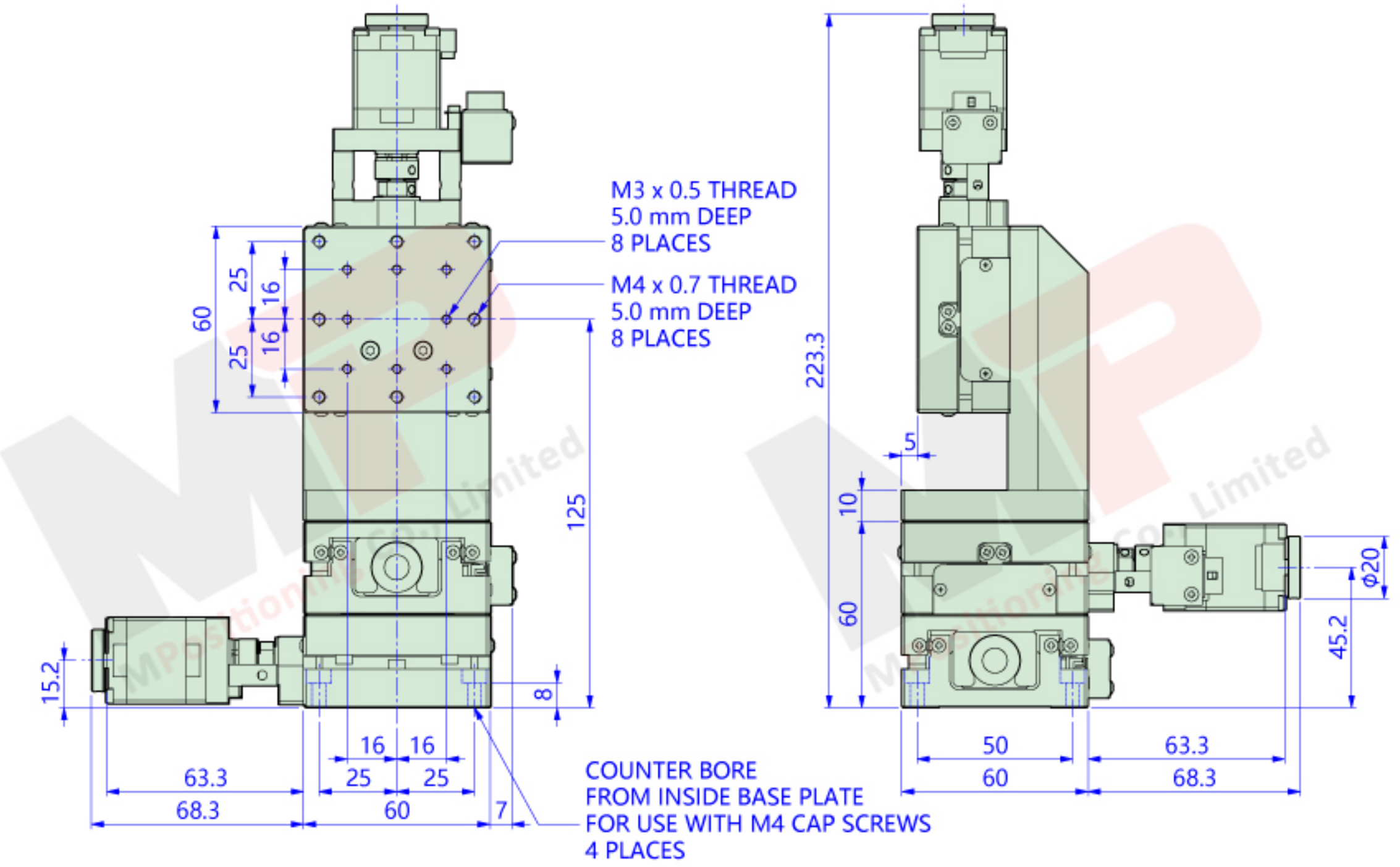
PH60Z-30



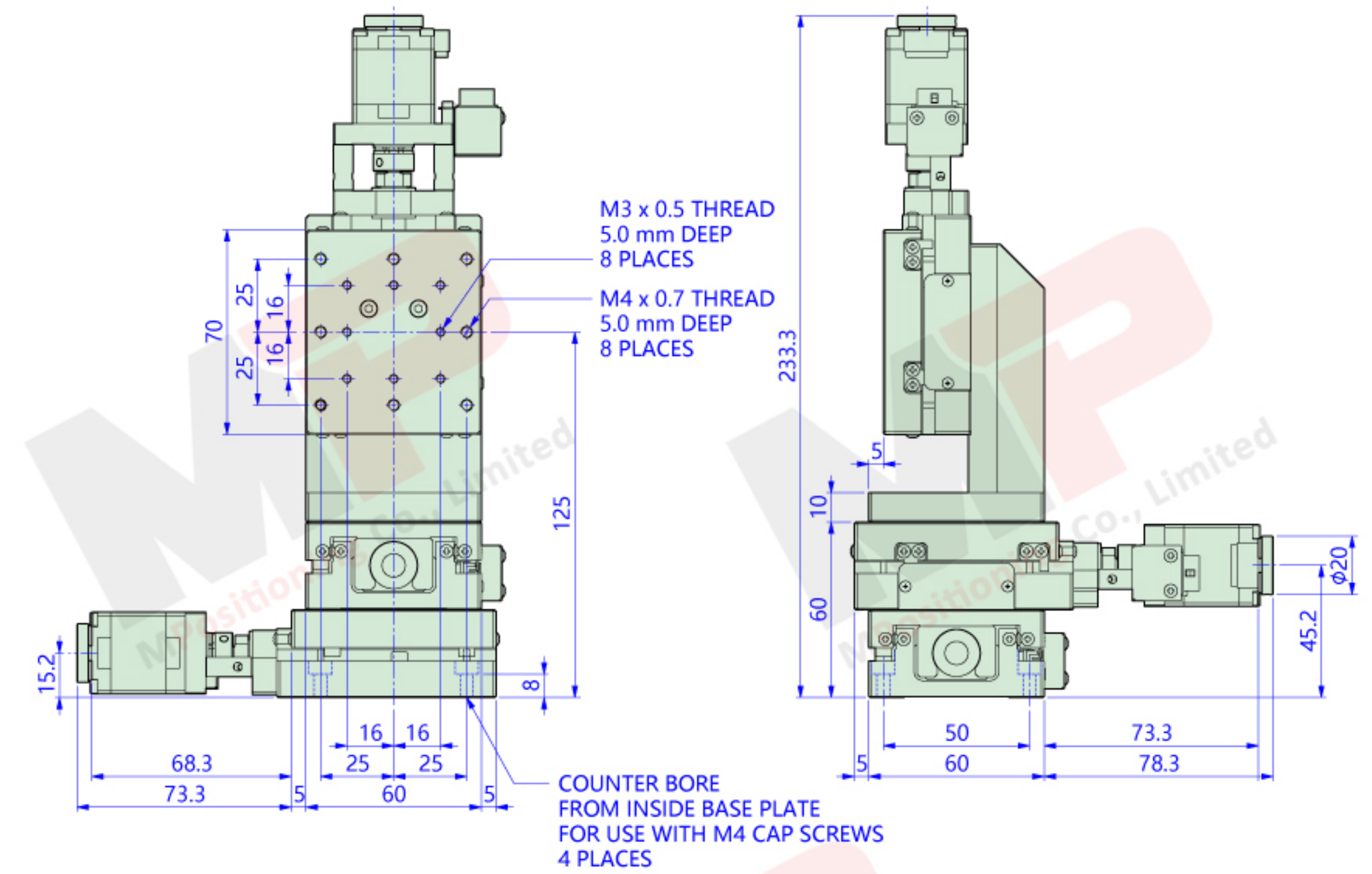
PH60XY-30



PH60XYZ-20



PH60XYZ-30



Item Number	Platform Size (mm)	Moving Direction	Stroke (mm)	Weight (kg)	Max. Load Capacity	Max. Velocity	Unidirectional Repeatability	Bidirectional Repeatability	Backlash	Flatness	Straightness
PH60X-30	60 x 70	X	30	0.87	10 kgf	10 mm/sec	≤ 15 μm	± 1 μm	≤ 3 μm	-	≤ 3 μm
PH60XY-30		XY		1.74							
PH60Z-30		Z		1.17							

Item Number	Platform Size (mm)	Moving Direction	Stroke (mm)	Weight (kg)	Max. Load Capacity	Max. Velocity	Unidirectional Repeatability	Bidirectional Repeatability	Backlash	Flatness	Straightness
PH60XYZ-20	60 x 60	XYZ	20	2.55	5 kgf	10 mm/sec	≤ 15 μm	± 1 μm	≤ 3 μm	-	≤ 3 μm
PH60XYZ-30	60 x 70		30	2.91							